



"RMF" - ultra slim



- Recessed low profile, high pressure duct fans
- 4 models
- IPX4 - Splashproof
- for toilets, shower-rooms, bathrooms and utility rooms
- For walls or ceilings
- Standard, Timer, Humidity Control and 2 Speed Remote
- Exceeds Building Regulations requirements (including new Document F)

GENERAL

- ultra low profile - only 18 mm
- high pressure duct fan to exhaust air and fumes through long lengths of rigid or flexible ducting
- hole diameter 6"/15cm - duct size 4"/10cm
- integral backdraught shutter
- adjustable timer - 3-15 minutes
- dynamic humidistat with night time set back and anti-hunting device
- humidistat model with neon to show fan in manual operation
- neon indicator on two-speed models to show fan in over-ride
- neon indicator on single speed models to show fan is switched on
- easy plasterboard ceiling installation with (optional) Ceiling Ring
- easy wiring of "T" and "H2R" models with quick fix terminal block
- whisper quiet operation
- IPX4 - Splashproof - can safely be installed in Zones I and II

SPECIFICATION

- casings from shockproof and heat resistant plastics
- double insulated motors of shaded pole type mounted on self-lubricating, sealed ball bearings for long life
- motors incorporate thermal cut-out
- maximum ambient temperature - 40°C

COMPLY WITH

- EN60335-2-80
- EC Low Voltage Directive 73/23-93/68
- EC Directive EMC89/336
- CE marked

TYPICAL SPECIFICATION

Supply and install a Vectaire RMF1002R recessed duct fan for toilets, shower-rooms, bathrooms and utility rooms as supplied by Vectaire Ltd, Lincoln Road, Cressex Business Park, High Wycombe, Bucks, HP12 3RH.

This fan is to be suitable for installation either in a ceiling or a wall with a 6"/15cm hole size and a 4"/10cm outlet. The fan should be complete with an integral backdraught shutter and have two speeds with remote switching.

The fan must run continuously at low speed, and be capable of being boosted to its maximum speed by use of a remote switch. There should be a neon indicator to show when the fan is in over-ride mode.

The fan should be made of shockproof and heat resistant plastics, contain a motor with sealed, self-lubricating ball bearings and be protected with a thermal cut-out.

The fan should be double insulated, and be suitable for installation for Zones I and II.

Fan to comply with all current IEE, EC and Building Regulations requirements for installation into a toilet, shower-room, bathroom or utility room.



fan profile

quick-fix terminal-block



RANGE

- **RMF100** - standard
- **RMF100T** - overrun timer
- **RMF1002R** - two speed model - continuous running at low speed, remote switch to high speed.
- **RMF100H2R** - humidistat and timer for automatic moisture extraction - choice of speed and operation via remote switch

SELV MODELS AVAILABLE



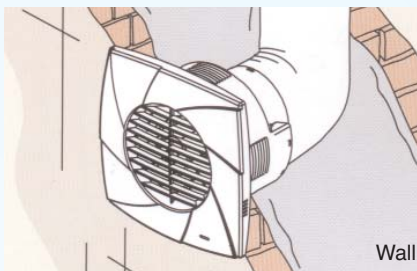
Tel: +44(0)1494 522333
Fax: +44(0)1494 522337

Vectaire Ltd
Lincoln Road, Cressex Business Park
High Wycombe, Buckinghamshire, HP12 3RH

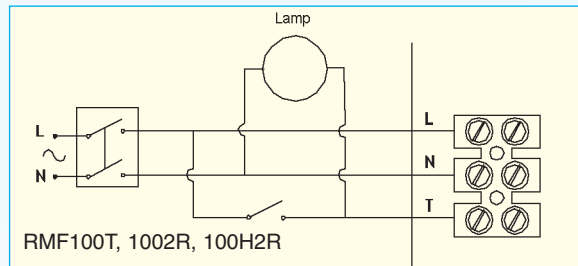
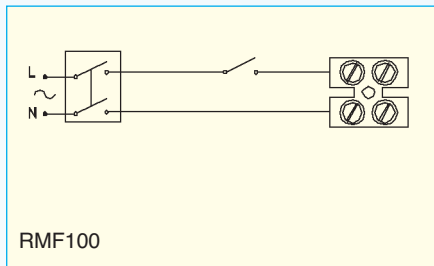
Email: sales@vectaire.co.uk
Web: www.vectaire.co.uk

TECHNICAL CHARACTERISTICS

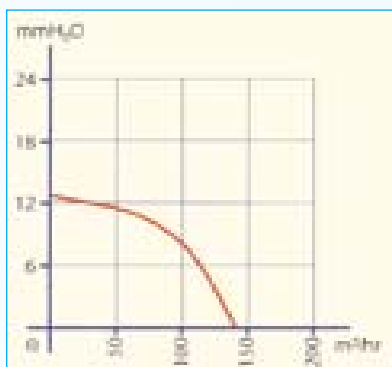
INSTALLATIONS



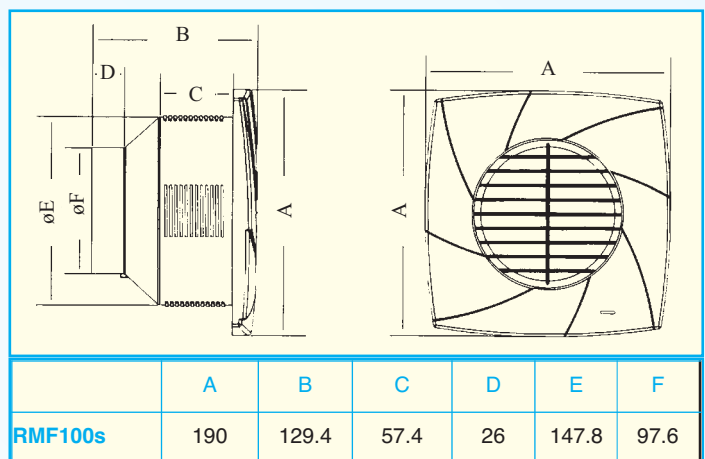
WIRING DIAGRAMS



PRESSURE CURVE



DIMENSIONS



TECHNICAL DATA

Model	m³/hr		litres/sec		Max mmH ₂ O	Max Pa	Volts	Hz	Watts	dbA		Hole dia mm	Duct dia mm	IPX4	Weight kg
	max	min	max	min						max	min				
RMF100s	130	65	36	18	13	128	230	50	30	49	*nr	150	100	yes	0.98

*nr - the sound of the RMF 2 speed fans at their lower level is so quiet as to be virtually non-recordable

ACCESSORIES



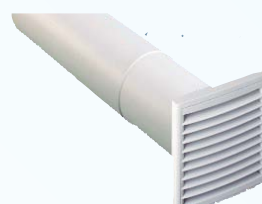
Fixed Grille



Gravity Grille



Wall Vent Kit



Wall Duct Kit



Ceiling Ring

FULL RANGE OF ACCESSORIES AVAILABLE INCLUDING FLEXIBLE AND FLAT DUCTING