



# "A" - modular



- **Modular axial fans**
- **13 models**
- **IPX4 - Splashproof**
- **3 sizes for toilets, shower-rooms, bathrooms, utility rooms and kitchens**
- **For walls, ceilings or windows (with window kit)**
- **Standard, Pull Cord, Timer, Humidity Control and PIR**
- **Exceeds Building Regulations requirements (including new Document F)**

## GENERAL

- axial fans to exhaust air and fumes directly outside or through short lengths of ducting
- adjustable timer - 3-15 minutes
- dynamic humidistat with night time set back and anti-hunting device
- humidistat fans with anti-vibration gasket
- easy plasterboard ceiling installation with (optional) Ceiling Ring
- window installation uses AWK window kits
- AWKDG double glazing kits available for 10 and 15cm sizes
- whisper quiet operation
- **IPX4 - Splashproof** - can safely be installed in Zones I and II

## SPECIFICATION

- casings from shockproof and heat resistant plastics
- double insulated motors of shaded pole type mounted on self-lubricating, sealed ball bearings for long life
- motors incorporate thermal cut-out
- maximum ambient temperature - 40°C
- Passive Infra Red sensor range 3m/110°

## COMPLY WITH

- EN60335-2-80
- EC Low Voltage Directive 73/23-93/68
- EC Directive EMC89/336
- CE marked
- **BEAB APPROVED**

## RANGE

- **A10/4, 12/5, 15/6** - standard
- **A10/4C, 12/5C, 15/6C** - pull cord
- **A10/4T, 12/5T, 15/6T** - overrun timer
- **A10/4HCT, 12/5HCT, 15/6HCT** - humidistat, cord, overrun timer, neon
- **A10/4PIR** - passive infra red, overrun timer
- **A10/4HTPIR** - passive infra red, humidistat, overrun timer, neon

SELV models available



PIR Model

Humidistat model with neon



## TYPICAL SPECIFICATION

Supply and install an A10/4HCT modular, axial toilet/bathroom/shower-room fan as supplied by Vectaire Ltd, Lincoln Road, Cressex Business Park, High Wycombe, Bucks, HP12 3RH.

The fan is to be suitable for installation either into a ceiling, wall or window, and be complete with an integral, adjustable, dynamic humidistat, an integral adjustable timer and have a pull-cord so that the fan can be operated manually as well as automatically via the humidistat. There should be a neon on the front of the fan to indicate manual control.

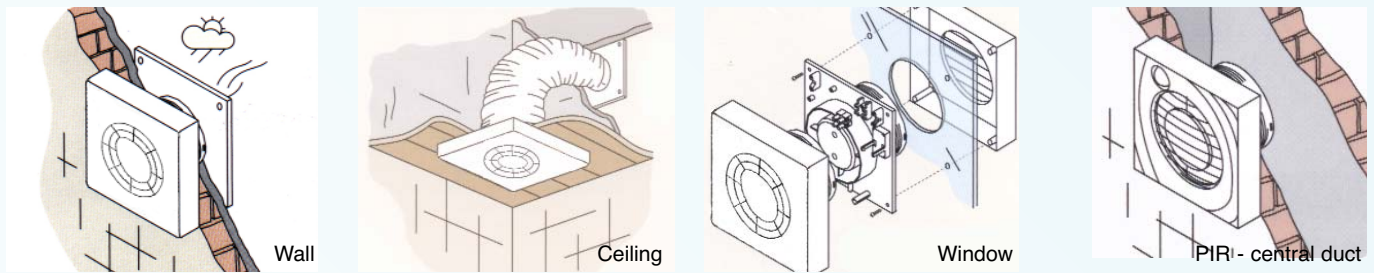
The fan should be made of shockproof and heat resistant plastic, contain a motor with sealed, self-lubricating bearings and be protected with a thermal cut-out

The fan should be double insulated and be suitable for installation into Zones I and II.

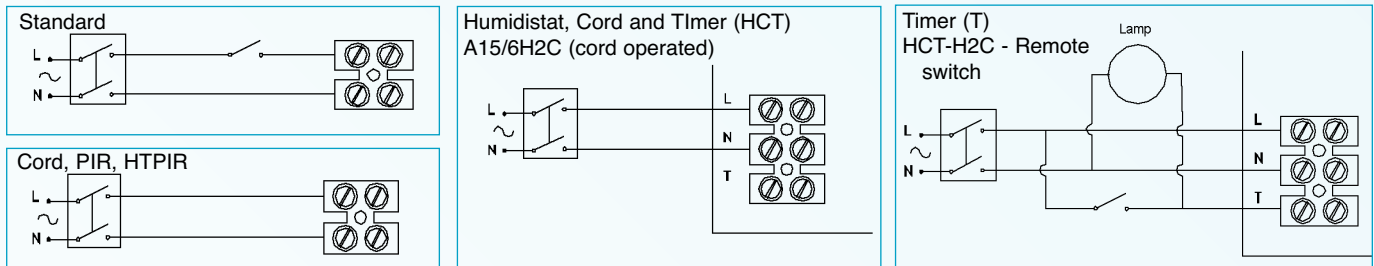
The fan is to be BEAB Approved and Marked, CE marked, and comply with current EC Low Voltage Directive EMC89/336 and with BSEN60529. The fan should finally comply with Building Regulations requirements for installation into a toilet/bathroom or shower-room.

# TECHNICAL CHARACTERISTICS

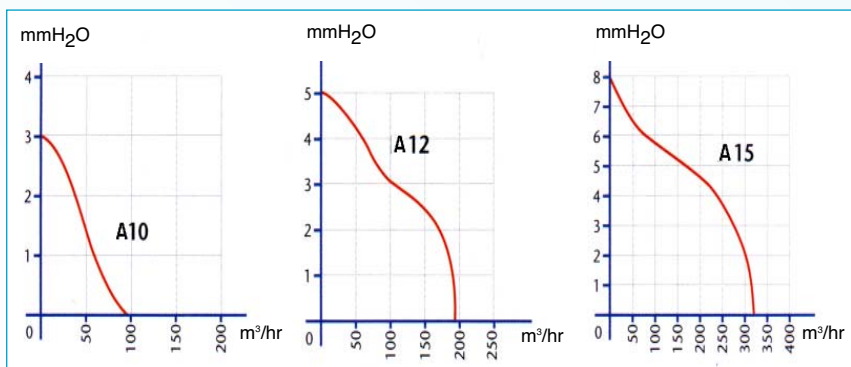
## INSTALLATIONS



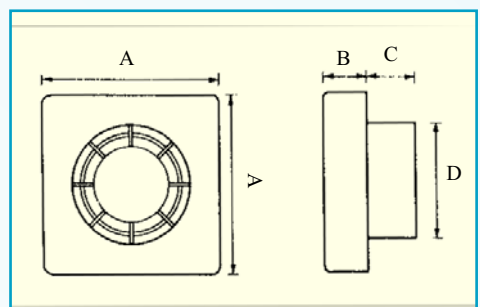
## WIRING DIAGRAMS



## PRESSURE CURVE



## DIMENSIONS



	A	B	C	D
<b>A10/4s</b>	150	35	42	98
<b>A12/5s</b>	180	44	45	118
<b>A15/6s</b>	210	46	60	148

## TECHNICAL DATA

Model	m³/hr	litres/sec	Max mmH <sub>2</sub> O	Max Pa	Volts	Hz	Watts	dbA	Hole dia mm	IPX4	Weight kg
<b>A10/4s</b>	98	27	3	29	230	50	15	41	100	yes	0.6
<b>A12/5s</b>	190	53	5	49	230	50	20	43	120	yes	0.85
<b>A15/6s</b>	104/320	29/89	8	78	230	50	25	43	150	yes	0.95

## ACCESSORIES



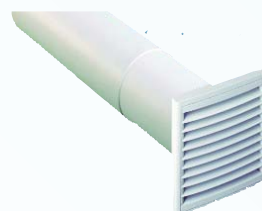
Fixed Grille



Gravity Grille



Wall Vent Kit



Wall Duct Kit



Ceiling Ring



Window Kit

FULL RANGE OF ACCESSORIES AVAILABLE INCLUDING FLEXIBLE AND FLAT DUCTING