

TRITON

· T80si Pumped electric shower ·



Installation and Operating Instructions

INSTALLERS PLEASE NOTE THESE INSTRUCTIONS ARE TO BE LEFT WITH THE USER

CONTENTS	Page
Important safety information	1
Introduction	2
Advice to users	2
Key to main components	3
Electrical requirements	4 - 5
Water requirements	6
Siting of the shower	6
Pressure Relief Device	7
Fitting the shower to the wall	8
Plumbing connections	8 - 9
Electrical connections	10
Commissioning	11 - 12
Fitting the riser rail	13
Fitting the hose and sprayhead	14
Operating the shower	15 - 16
Operating functions	16
Adjusting the sprayhead	17
Cleaning	18
Filter maintenance	19
Fault finding	20 - 21
Spare parts	22 - 23
Temperature / flow rate graph	24
Guarantee, service policy, etc.	rear cover

This shower is designed for domestic use and is not vandal resistant.
To ensure the product suitability for commercial and multiple installations,
please contact Triton's specification advisory service prior to installation.

Telephone: (024) 7632 5491

Facsimile: (024) 7632 4564

E mail: technical@triton.plc.uk

PLEASE READ THIS IMPORTANT SAFETY INFORMATION

- ◆ Products manufactured by Triton are safe and without risk provided they are installed, used and maintained in good working order in accordance with our instructions and recommendations.
- ◆ DO NOT connect this shower directly to the mains water supply.
- ◆ DO NOT operate shower if frozen, or suspected of being frozen. It must thaw out before using.
- ◆ DO NOT operate the unit if the sprayhead or spray hose becomes damaged.
- ◆ DO NOT restrict flow out of the shower by placing sprayhead in direct contact with your body.
- ◆ DO NOT operate the shower if water ceases to flow during use or if water has entered inside the unit because of an incorrectly fitted cover.
- ◆ **WARNING:** If re-starting the shower immediately after stopping, be aware that a slug of hot water will be expelled for the first few seconds.

1 GENERAL

1.1 Isolate the electrical and water supplies before removing the cover.

1.2 Read all of these instructions and retain them for later use.

1.3 DO NOT take risks with plumbing or electrical equipment.

1.4 Isolate electrical and water supplies BEFORE proceeding with the installation.

1.5 The unit must be mounted onto the finished wall surface (on top of the tiles). DO NOT tile up to unit after fixing to wall.

1.6 Contact Customer Service (see back page), if any of the following occur;

a) If it is intended to operate the shower at pressures above the maximum or below the minimum stated.

b) If the unit shows a distinct change in performance.

c) If the shower is frozen.

1.7 If it is intended to operate the shower in areas of hard water (above 200 ppm temporary hardness), a scale inhibitor may have to be fitted. For advice on the Triton Scale Inhibitor, contact Customer Service.

1.8 The sprayplate and cartridge must be cleaned regularly with descalent to remove scale and debris, otherwise restrictions to the flow on the outlet of the unit will result in higher temperatures and could also cause the Pressure Relief Device in unit to operate.

1.9 This product is not suitable for mounting into steam rooms or steam cubicles.

2 PLUMBING

2.1 The plumbing installation must comply with Water Regulations, Building Regulations or any particular regulations as specified by Local Water Company or Water Undertakers and should be in accordance with BS 6700.

2.2 The supply pipe must be flushed to clear debris before connecting to shower unit.

2.3 DO NOT solder pipes or fittings within 300mm of shower, as heat transfer can damage components.

2.4 DO NOT fit any form of outlet flow control as the outlet acts as a vent for the heater can.

2.5 DO NOT use excessive force when making connections to the flexible hose or sprayhead, finger tightness is sufficient.

2.6 All plumbing connections MUST be completed BEFORE making the electrical connections.

3 ELECTRICAL

3.1 The installation must comply with BS 7671 'Requirements for electrical installations' (IEE wiring regulations) or any particular regulations as specified by the local Electrical Supply Company.

3.2 This appliance MUST be earthed.

3.3 In accordance with 'The Plugs and Sockets etc. (Safety) Regulations 1994', this appliance is intended to be permanently connected to the fixed wiring of the electrical mains system.

3.4 Ensure all electrical connections are tight to prevent overheating.

3.5 Fuses do not give personal protection against electric shock.

3.6 *To enhance electrical safety* a 30mA residual current device (RCD) should be installed in all UK electric and pumped shower circuits. This may be part of the consumer unit or a separate unit.

3.7 Switch off immediately at isolating switch if water ceases to flow during use.

3.8 Other electrical equipment i.e. extractor fans, pumps must not be connected to the circuits within the unit.

3.9 Switch off at isolating switch when not in use. This is a safety procedure recommended with all electrical appliances.

3.10 As with all electrical appliances it is recommended to have the shower and installation checked at least every two years by a competent electrician to ensure there is no deterioration due to age and usage.

INTRODUCTION

This book contains all the necessary fitting and operating instructions for your Triton T80si pumped electric shower.

Take time to read this book thoroughly and familiarise yourself with all instructions *before* commencing installation. Please keep it for future reference.

The shower installation must be carried out by a competent person and in the sequence of this instruction book.

Do not attempt any electrical or plumbing work necessary to install this product unless you have good practical experience and adequate understanding of the IEE regulations and water regulations

Care taken during the installation will ensure a long, trouble-free life from your shower.

SPECIFICATIONS

Electrical

Nominal power rating at 240V	Nominal power rating at 230V
8.5kW - (40A MCB rating)	7.8kW – (40A MCB rating)
9.5kW – (40A MCB rating)	8.7kW – (40A MCB rating)

Water

Inlet connection – 15mm diameter.
Outlet connection – 1/2" BSP male thread.

Entry Points

Water and cable– bottom, top or back.

Materials

Backplate, cover, controls, sprayhead – ABS.
Sprayplate – Acetal.
Elements – Minerally insulated corrosion resistant metal sheathing.

Dimensions

Height 365 mm
Width 245 mm
Depth 104 mm

Standards and Approvals

Splashproof rating IPX4.

Complies with the requirements of current British and European safety standards for household and similar electrical appliances.

Complies with requirements of the British Electrotechnical Approvals Board (BEAB).

Meets with Compliance with European Community Directives (CE).

ADVICE TO USERS

The following points will help you understand how the shower operates:

A The electric heating elements operate at a constant rate at your chosen power setting. It is the flow rate of the water passing through the heater unit which determines the shower temperature at any given setting. (The slower the flow the hotter the water becomes, and the faster the flow the cooler the water).

B During the Winter the cold water supply will be cooler than in the Summer months. Therefore, the temperature of the water will vary from season to season on any one setting of the temperature control, e.g. if you have chosen 'Medium' power for your preferred shower temperature in the Summer, you may have to increase that to 'Full' power during the Winter months (refer to temperature/flow rate graph).

C If for any reason there is a sudden rise in water temperature, the T80si has thermal cut-out devices built-in (see *items 3 and 4 under 'Fault Finding'*).

D Switch off immediately at the isolating switch if water ceases to flow. Press the start/stop button and contact Triton Customer Service for advice.

If ever the water becomes too hot and you cannot obtain cooler water, first check that the sprayplate in the sprayhead is not blocked.

DO NOT place items such as soap or shampoo bottles on top of the unit. Liquid could seep through the joint between the cover and backplate, and possibly damage the sealing rubber.

Replacement parts can be ordered from Triton Customer Service. See '*spare parts*' for details and part numbers.

Due to continuous improvement and updating, specification may be altered without prior notice.

KEY TO MAIN COMPONENTS

inside unit (fig.1)

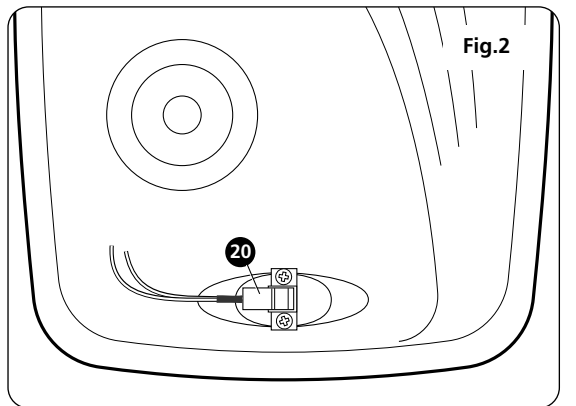
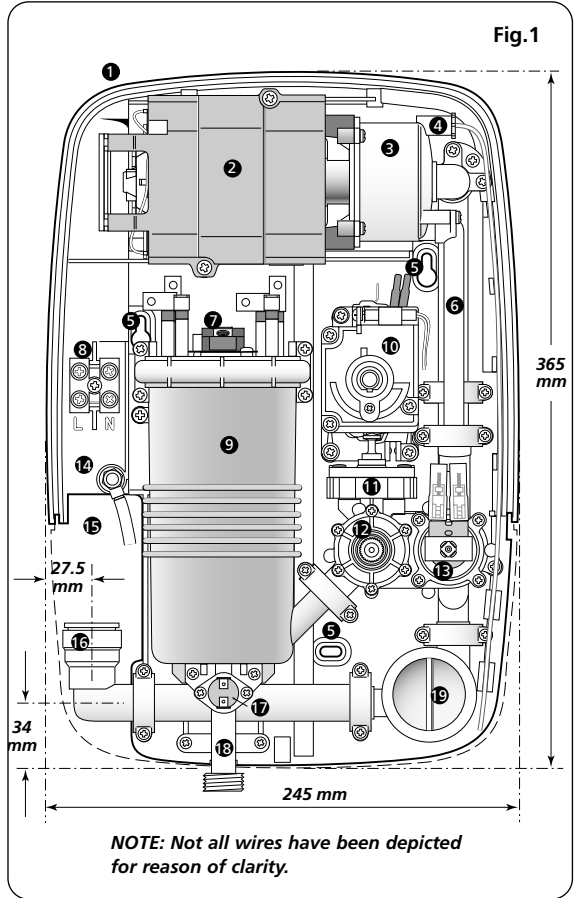
- 1 Top cable / pipe entry
- 2 Motor unit
- 3 Pump unit
- 4 Bleed screw
- 5 Wall screw fixing
- 6 Feed pipe
- 7 Thermal safety cut-out (main)
- 8 Terminal block
- 9 Can and element assembly
- 10 Power selector
- 11 Pressure switch
- 12 Temperature valve
- 13 Solenoid valve
- 14 Earth connection
- 15 Rear pipe / cable entry area
- 16 Inlet elbow
- 17 Thermal cut-out (outlet)
- 18 Outlet pipe
- 19 Filter

inside cover (fig.2)

- 20 Stop/start switch

PACK CONTENTS

- Shower unit
- Riser rail
- Sprayhead
- Sprayhead holder
- Riser rail brackets
- Hose
- Soap dish
- Fixing screws and plugs
- 1 year and extended guarantee options



ELECTRICAL REQUIREMENTS

WARNING
THIS APPLIANCE MUST BE EARTHED

The installation, supply cable and circuit protection must conform with IEE wiring regulations and be sufficient for the amperage required.

The following notes are for guidance only:

1 The shower must only be connected to a 230-240V ac supply. If you are installing a shower with a kilowatt rating above 9kW, it is advisable to contact the local electricity supply company.

1.1 The electrical rating of the shower is shown on the rating label (fig.3) within the unit.



Fig.3

2 Before making any sort of electrical connection within the installation, ensure that no terminal is live. If in any doubt, switch off the whole installation at the consumer unit.

3 The shower must be connected to its own independent electrical circuit. IT MUST NOT be connected to a ring main, spur, socket outlet, lighting circuit or cooker circuit.

3.1 The electrical supply must be adequate for the loading of the unit and existing circuits.

4 Check your consumer unit (main fuse box) has a main switch rating of 80A or above and that it has a spare fuse way which will take the fuse or mcb necessary for the shower (fig.4).

4.1 If your consumer unit has a rating below 80A or if there is no spare fuse way, then the installation will not be straight forward and may require a new consumer unit serving the house or just the shower.

4.2 You will need to contact the local electricity company. They will check the circuit and carry out what is necessary. They will also check the main bonding.

5 The earth continuity conductor of the electrical installation must be effectively connected electrically to all exposed metal parts of other appliances and services in the room in which the shower is to be installed, to conform to current IEE regulations.

Fig.4 schematic of installation circuit

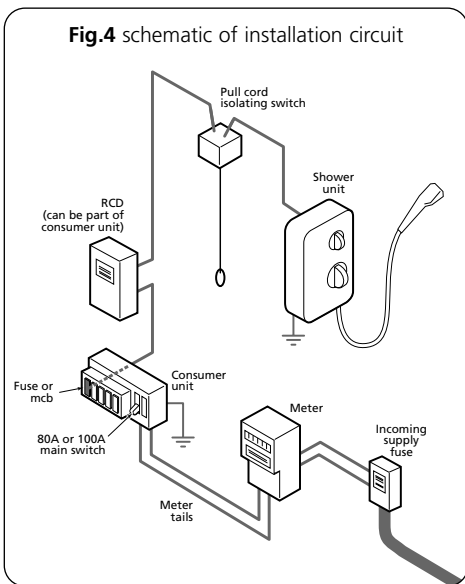


Table A

unit rating	CIRCUIT PROTECTION	
	mcb	cartridge fuse
7.0kW	30/32A	30A
7.5kW	32A	35A
8.0kW	40A	35A
8.5kW	40A	45A
9.0kW	40A	45A
9.5kW	40/45A	45A
10.5kW	45A	45A

ELECTRICAL REQUIREMENTS

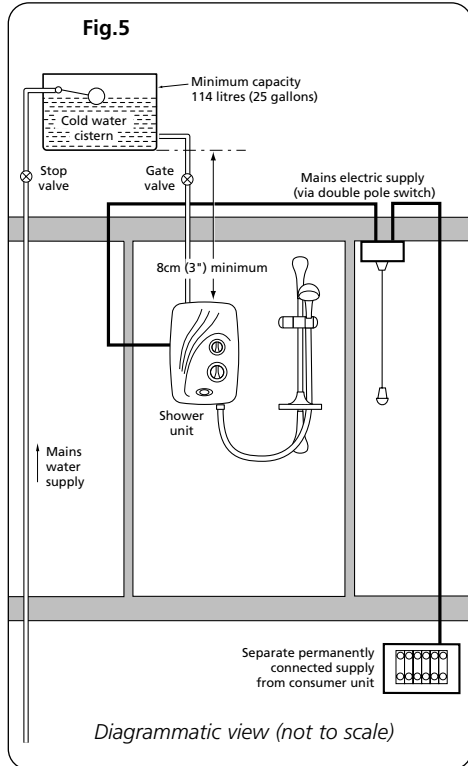
- 5.1** All exposed metallic parts in the bathroom must be bonded together using a cable of at least 4mm² cross sectional area. These parts include metal baths, radiators, water pipes, taps and waste fittings.
- 6** For close circuit protection DO NOT use a rewirable fuse. Instead use a suitably rated miniature circuit breaker (MCB) or cartridge fuse (see table A).
- 6.1** In the interest of electrical safety a 30mA residual current device (RCD) should be installed in all UK electric and pumped shower circuits. This may be part of the consumer unit or a separate unit.
- 7** A 45 amp double pole isolating switch with a minimum contact gap of 3mm in both poles must be incorporated in the circuit.
- 7.1** It must have a mechanical indicator showing when the switch is in the OFF position, and the wiring must be connected to the switch without the use of a plug or socket outlet.
- 7.2** The switch must be accessible and clearly identifiable, but out of reach of a person using a fixed bath or shower, except for the cord of a cord operated switch, and should be placed so that it is not possible to touch the switch body while standing in a bath or shower cubicle. It should be readily accessible to switch off after using the shower.
- 8** Where shower cubicles are located in any rooms other than bathrooms, all socket outlets in those rooms must be protected by a 30mA RCD.
- 9** The current carrying capacity of the cable must be at least that of the shower circuit protection (see table B).
- 9.1** To obtain full advantage of the power provided by the shower, use the shortest cable route possible from the consumer unit to the shower.
- 9.2** It is also necessary to satisfy the disconnection time and thermal constraints which mean that for any given combination of current demand, voltage drop and cable size, there is a maximum permissible circuit length.
- 10** The shower circuit should be separated from other circuits by at least twice the diameter of the cable or conduit.
- 10.1** The current rating will be reduced if the cabling is bunched with others, surrounded by thermal loft or wall insulation or placed in areas where the ambient temperature is above 30°C. Under these conditions, de-rating factors apply and it is necessary to select a larger cable size.
- 10.2** In the majority of installations, the cable will unavoidably be placed in one or more of the above conditions. This being so, it is strongly recommended to use a minimum of 10mm cabling throughout the shower installation.
- 10.3** In any event, it is essential that individual site conditions are assessed by a competent electrician in order to determine correct cable size and permissible circuit length.

Table B

**Twin and earth PVC insulated cable
CURRENT CARRYING CAPACITY**

installed in an insulated wall	in conduit or trunking	clipped direct or buried in a non insulated wall
6mm ²	6mm ²	6mm ²
32A	38A	46A
10mm ²	10mm ²	10mm ²
43A	52A	63A
16mm ²	16mm ²	16mm ²
57A	69A	85A

Note: Cable selection is dependent on de-rating factors



WATER REQUIREMENTS

The installation must be in accordance with Water Regulations / Byelaws.

WARNING: Under no circumstances must this T80si pumped shower be connected directly to the mains water supply.

To ensure activation of the heating elements, the shower must be connected to a cold water supply which is gravity fed from a static cold water storage cistern with a minimum capacity of 114 litres (25 gallons).

There must be a maximum head of water of 10 metres (33ft) and a minimum head of 8 cm (3") as measured between the bottom of the cistern and the top of the shower unit. There must be no other cold water draw offs between the cistern and the unit and the pipe must not supply water to any other tap or fitting at a lower level.

NOTE: The supply pipe from the cistern should be on the opposite side to the float operated valve to prevent air being drawn into the pipe when the cistern is filling.

If it is intended to operate the shower in hard water areas (above 200 ppm temporary hardness) a scale inhibitor should be fitted.

Fig.5 shows a typical system layout. Do not use jointing compounds on any pipe fittings for the installation.

SITING OF THE SHOWER

WARNING: The shower must not be positioned where it will be subjected to freezing conditions.

FOR EASE OF SERVICING, THE UNIT MUST ALWAYS BE MOUNTED ON THE SURFACE OF TILED WALLS. NEVER TILE UP TO THE UNIT.

Refer to **figure 6** for correct siting of the shower. This product is splash-proof rated and is approved for use in shower cubicles and over baths.

However, do not install the unit in a position where the sprayhead will consistently direct water over it.

The shower unit **MUST** be positioned vertically.

Allow sufficient room between the ceiling and the shower to access the cover top screws.

Pressure relief safety device

A pressure relief device (PRD) is designed into the shower unit which complies with European standards. The PRD provides a level of appliance protection should an excessive build up of pressure occur within the shower.

DO NOT operate the shower with a damaged or kinked shower hose, or a blocked sprayhead which can cause the PRD to operate.

When commissioning, the sprayhead must be removed from the flexible hose. Failure to follow this procedure may also result in causing the PRD to operate.

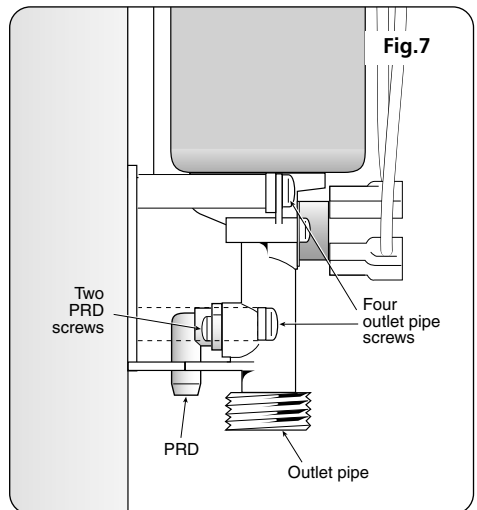
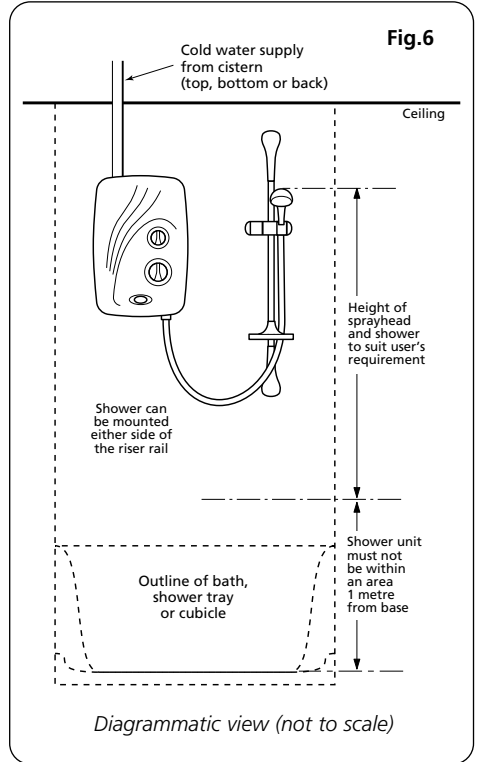
Ensure the shower is positioned over a bath or shower tray because if the PRD operates, then water will eject from the bottom of the unit. Should this happen, turn off the electricity and water supplies to the shower at the isolating switch and stopvalve. Contact Customer Service for advice on replacing the PRD.

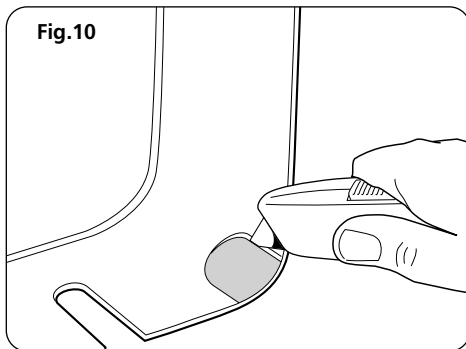
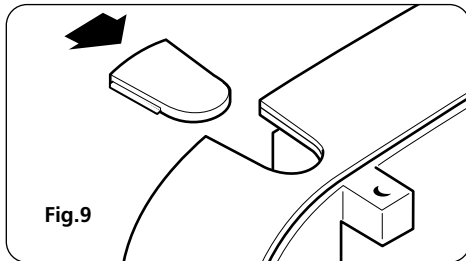
The PRD is situated behind the outlet pipe (**fig.7**). To gain access to it, FIRST SWITCH OFF THE ELECTRICITY SUPPLY, unscrew the hose then remove the cover.

Remove the four screws securing the outlet pipe in position. Carefully pull away from the can and then unscrew the two screws holding the PRD to the outlet pipe.

CAUTION: Do not attempt to replace the PRD unless competent to do so.

NOTE: Before replacing the cover, it is strongly advised to prime the unit (see 'commissioning').





FITTING THE SHOWER TO THE WALL

NOTE: The control knobs are an integral part of the cover – do not attempt to remove them.

Important: The unit must be mounted on a flat surface which covers the full width and length of the backplate. It is important that the wall surface is flat otherwise difficulty may be encountered when fitting the cover and subsequent operation of the unit may be impaired.

Unscrew the two top and one bottom retaining screws (**fig.8**) and lift the cover from the backplate. **NOTE:** Deviations from the designated entry points will invalidate product approvals.

If a top entry is required for the water pipe, remove the top cut-out in the backplate (**fig.9**) and rotate the inlet elbow so that it points upward. If a bottom entry is required for the cold water pipe, then a hole will need to be cut out of the cover (**fig.10**) and the inlet elbow rotated to face downward.

If entry is required from the back, rotate the inlet elbow upwards and fit the supplied elbow to connect to the pipe (**fig.11**). Ensure the hole in which the pipe enters through the wall is filled in completely in order to prevent any possible ingress of water into the cavity area.

After choosing the site for the shower, use the backplate as a template and mark the three fixing holes (**fig.12**). Drill and plug to suit the fixing screws supplied. *(The wallplugs provided are suitable for most brick walls – use an appropriate masonry drill, but if the wall is plasterboard or a soft building block, you must use special wallplugs and an appropriate drill obtainable from most hardware stores).*

Screw the two upper fixing screws into position leaving the base of the screw heads protruding 6mm (0.25in) out from the wall.

Hook the backplate over the top screws and fit the lower fixing screw into position.

DO NOT fully tighten the screws at this stage, as the fixing holes are elongated to allow for out of square adjustment after the plumbing connections have been completed.

NOTE: A temporary factory fitted locking screw is fitted to the power selector spindle (**fig.17**). This is to ensure the spindle is held in 'COLD' whilst the commissioning procedure is carried out. DO NOT remove before this procedure is completed.

PLUMBING CONNECTIONS

Plumbing to precede wiring.

WARNING: The outlet of the shower acts as a vent and must not be connected to anything other than the hose and sprayhead supplied.

DO NOT use jointing compounds on any pipe fittings for the installation. **DO NOT** use soldered fittings within the vicinity of the shower unit.

NOTE: An additional gate valve or fullway lever valve must be fitted in the water supply to the shower as an independent means of isolating the water supply should maintenance or servicing be necessary.

Important: The fitting on the inlet elbow is a push-in type. The pipework must be cut with a pipe cutter and all burrs and rough edges removed from the end of the tube. The fitting can be used with copper and plastic pipe.

If using chrome plated copper pipe, remove the first 25mm of plating completely from the connecting surface. If it is not completely removed then the collet will not grip the pipe and under pressure the pipe may be forced out.

CONNECTION PROCEDURE: Turn off water supply either at the mains stopvalve or the isolating stopvalve to the cistern. Drain the cistern.

Important: The pipework must be brought direct from the cold water storage cistern with no other cold water draw offs between the shower and the cistern.

Important: Before completing the connection of the water supply to the inlet of the shower, flush out the pipework to remove all swarf and system debris. This can be achieved by connecting a hose to the pipework and turning on the water supply long enough to clear the debris to waste.

Fit the pipework to the inlet elbow. Ensure the elbow collet is fully engaged with the pipe.

Although the pipework connection to the shower is via 15mm diameter pipework, on long runs use 22mm diameter piping as far as possible to avoid restricting the flow to the shower.

Ensure that the backplate of the unit is flat on the wall and positioned squarely. Tighten the fixing screws.

Turn on the water supply and check for leaks in the pipework connection to the shower. **NOTE:** At this stage no water can flow through the unit.

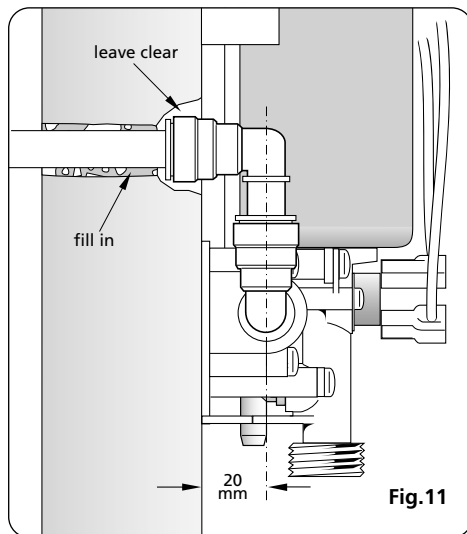


Fig. 11

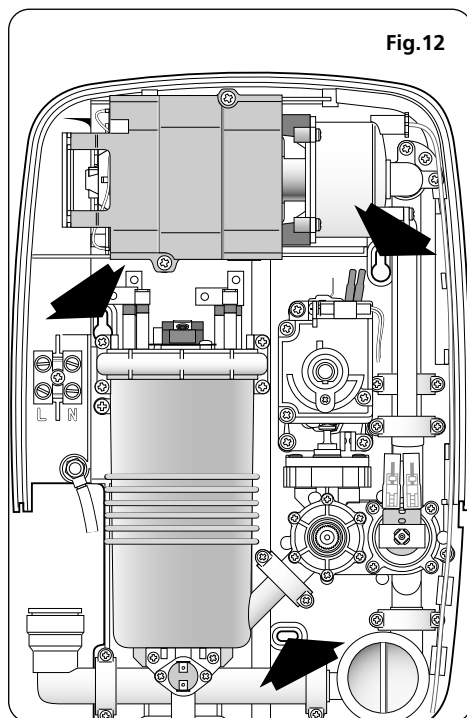
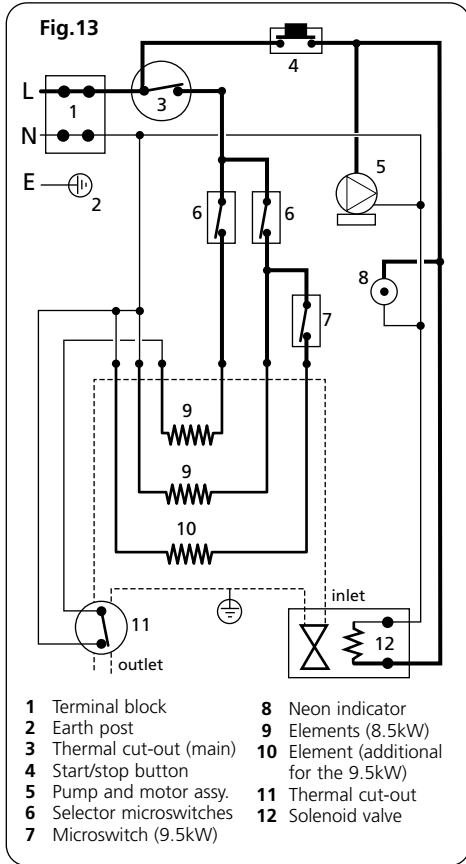


Fig. 12




ELECTRICAL CONNECTIONS

SWITCH OFF THE ELECTRICITY SUPPLY.

Figure 13 shows a schematic wiring diagram. The cable entry points are shown in **figure 1**. The cable can be surface clipped, hidden or via 20mm conduit. NOTE: Metal conduit entry can only be from rear.

Route the cable into the shower unit and connect to the terminal block (**fig.14**) as follows:-

Earth cable to terminal marked **E** 

Neutral cable to terminal marked **N**

Live cable to terminal marked **L**

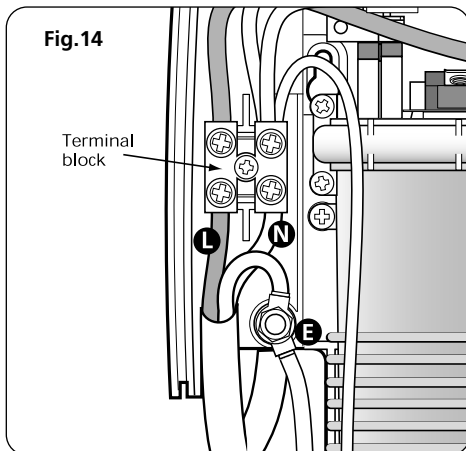
IMPORTANT: Fully tighten the terminal block screws and ensure that no cable insulation is trapped under the screws. Loose connections can result in cable overheating.

NOTE: The supply cable earth conductor must be sleeved. The outer sheath of the supply cable must be stripped back to the minimum.

The supply cable must be secured either by routing through conduit or in trunking or by embedding in the wall, in accordance with current IEE regulations.

The use of connections within the unit, or other points in the shower circuit, to supply power to other equipment i.e. extractor fans, pumps etc. will invalidate the guarantee.

DO NOT switch on the electricity supply until the cover has been fitted.



COMMISSIONING

DO NOT switch on the electricity supply until the following procedure has been completed and the cover has been fitted. Failure to do so could cause the pump to run dry and invalidate the guarantee.

The first operation of the shower is intended to flush out any remaining unit debris, and to ensure the heater unit contains water before the elements are switched on.

This operation must be carried out with the flexible hose screwed to the outlet but *without* the sprayhead attached. Ensure the outlet of the flexible hose is directed to waste. The 'COLD' position must be used.

To ensure the temperature control is correctly positioned on the stabilising valve, temporarily place the cover in position so that the splines engage then rotate the temperature control fully anti-clockwise.

Remove the cover and position the temperature control so that it points towards '1' (**fig.15**). Position the power selector to the 'COLD' position (**fig.16**).

DO NOT remove the locking screw fitted to the power selector spindle (**fig.17**) – it can be removed only when the commissioning procedure has been completed.

Ensure the water supply is still turned on to the shower.

Open the bleed screw on the pump unit (**fig.18**) by rotating one revolution. When water flows from the drain pipe, this indicates that any trapped air is vented and that the pump unit is primed. The bleed valve must now be closed by rotating in the opposite direction.

Offer the cover to the backplate unit. Ensure the power selector is still at the 'COLD' position and the temperature control is at '1'.

NOTE: Ensure the 'START/STOP' button is not depressed in the cover which indicates 'start'. The button should be flush with the cover, otherwise water will flow as soon as the electricity is switched on.

Attached to the stop/start switch inside the cover is a two wire lead. The socket on the end of this lead must be connected to the plug that is

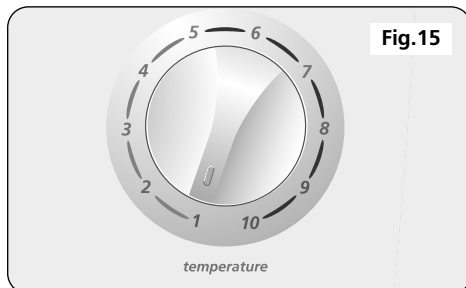


Fig.15



Fig.16

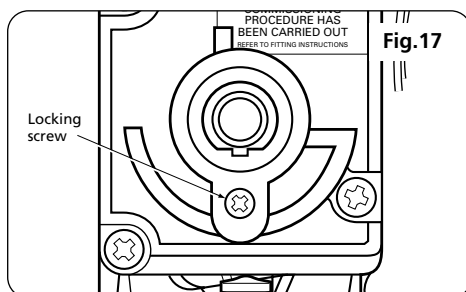


Fig.17

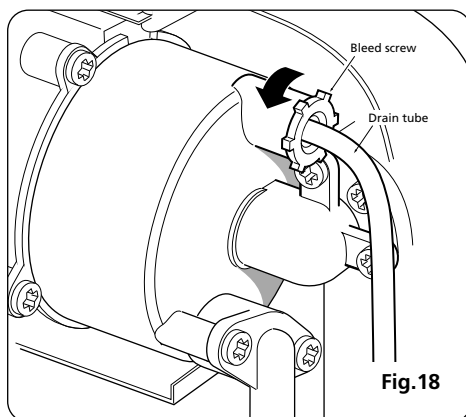
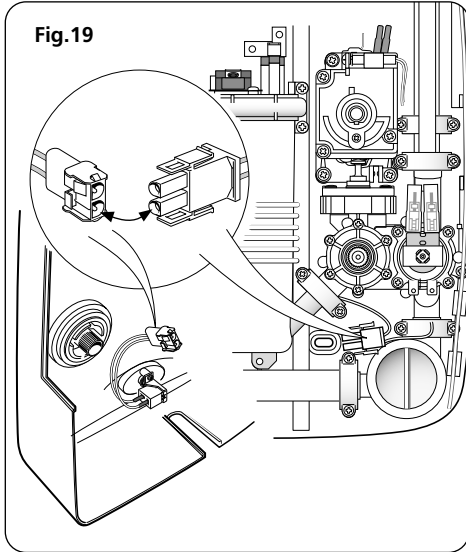


Fig.18



situated at the bottom of the right hand side of the backplate unit (**fig.19**). NOTE: The plug and socket can only fit one way.

Replace the cover squarely to the backplate and guide into position so that the controls locate correctly into the spindles while at the same time, ensuring wires are not trapped. Should any difficulty arise, re-check the points above.

Secure the cover temporarily in position with the three retaining screws. DO NOT OVERTIGHTEN. Switch on the mains electric supply to the shower at the isolating switch.

Press the 'START/STOP' button (**fig.20**). The power indicator will light and the pump starts to operate.

It will take approximately thirty seconds for a smooth flow of water to be obtained whilst air and any debris is being dispersed from the shower.

When a smooth flow of water is obtained, rotate the temperature control from '1' to '10' several times (**fig.21**) to release any trapped air within the unit.

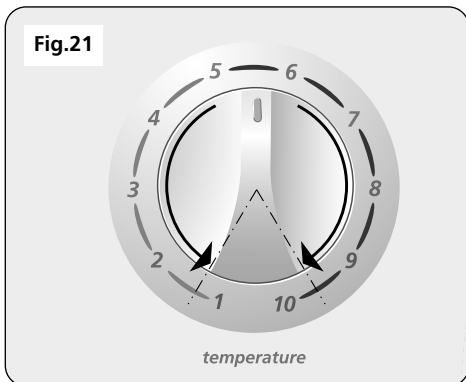
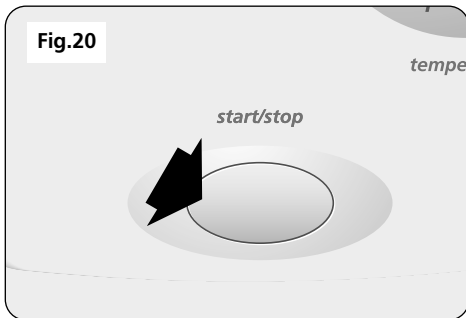
Once flushing out has been completed, stop the water flow by pressing the 'start/stop' button. SWITCH OFF THE ELECTRICITY SUPPLY TO THE SHOWER AT THE ISOLATING SWITCH.

Unscrew the three retaining screws again and lift the cover from the backplate.

Remove the locking screw from the power selector spindle (**fig.17**) and store for future use. Ensure the selector spindle is left in the same attitude.

Re-place the cover as described above and permanently secure with the three retaining screws. DO NOT OVERTIGHTEN.

Switch the mains electric supply back on to the shower at the isolating switch. Once the riser rail is fitted, the shower is ready for normal use



FITTING THE RISER RAIL

WARNING: Check there are no hidden cables or pipes before drilling holes for wall plugs. Use great care when using power tools near water. The use of a residual current device (RCD) is recommended.

Decide the position for the rail on the wall within the shower area. Proceed as follows:

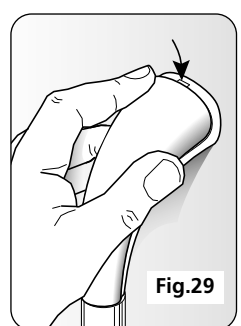
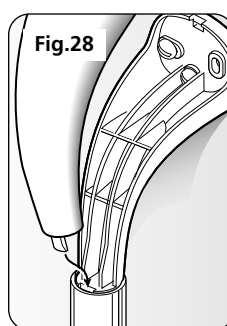
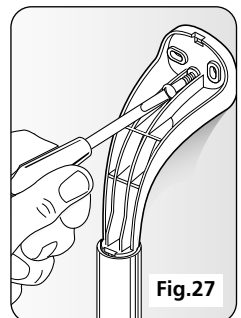
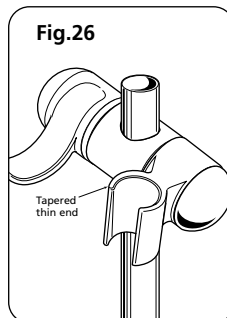
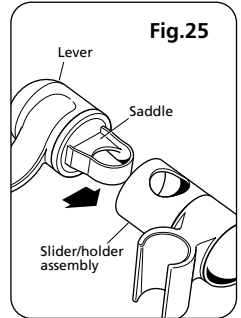
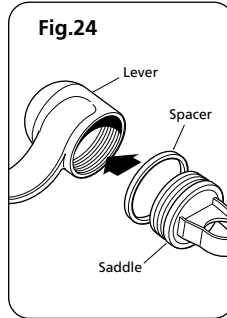
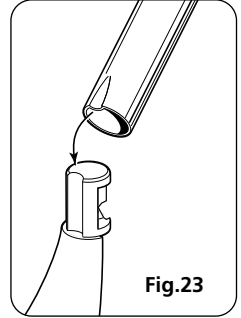
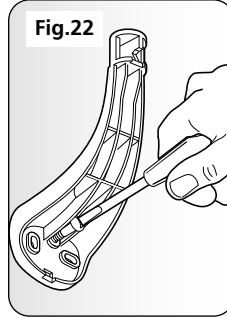
A Offer one of the two brackets to the wall for the lower position only. Note there are three holes in the brackets but two screws will usually be sufficient. However, the centre hole must be used so mark this and either of the other two. Drill and plug the wall. (The wallplugs provided are suitable for most brick walls – use an appropriate masonry drill, but if the wall is plasterboard or a soft building block, you must use special wallplugs and an appropriate drill obtainable from most hardware stores).

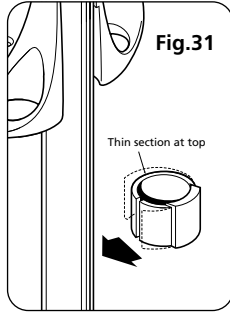
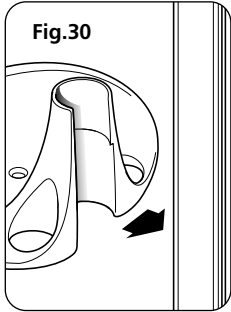
Replace the bracket to the wall and secure to the wall with the screws supplied (**fig.22**). Locate the rail onto this lower bracket ensuring the rail engages fully on the bracket. Ensure the indent in the riser rail engages into the cut-out on the bracket end (**fig.23**).

B Locate the second bracket on top of the rail. Again mark the centre hole plus one of the other two holes. Ensure the rail is vertical. Remove the bracket and rail. Drill and plug the wall.

C With the saddle, spacer and lever parts to hand, screw the saddle two or three turns into the lever (**fig.24**). Place the saddle and lever into the slider/holder assembly (**fig.25**) so that the holes align, then slide onto the rail (**fig.26**). Tighten to the rail by turning the lever. When tight, the lever should be facing forwards and not pointing to the wall. If not, slacken off and remove from the rail. Rotate the saddle and lever 180° within the slider/holder assembly then replace onto the rail and tighten. Ensure the tapered thin end of the spray head holder is in the uppermost position.

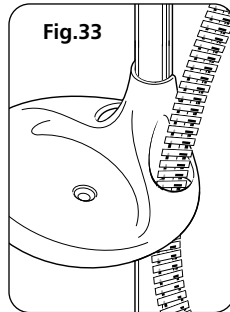
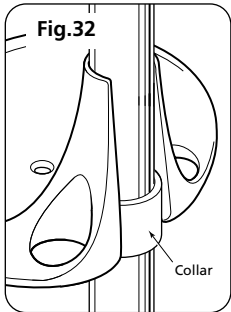
D Place the rail onto the installed lower bracket. Replace the upper bracket onto the rail and secure the bracket to the wall with the screws supplied (**fig.27**).





E Place a trim cover onto each bracket ensuring the large protrusion at the narrow end of the trim cover, engages into the slot between the rail and bracket (**fig.28**) before pushing and clicking the other end into place (**fig.29**).

F Snap the soap dish onto the rail (**fig.30**) below the holder assembly. Prise open the soap dish collar and fit onto the rail (**fig.31**) below the dish. Note the collar is slightly tapered and should be fitted 'thinner section' uppermost. Ensure it locates firmly in the soap dish (**fig.32**) so that it holds the dish at the required height on the rail.

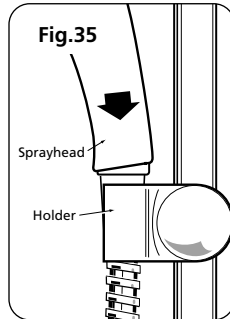
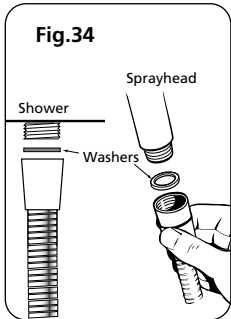


FITTING THE HOSE AND SPRAYHEAD

Feed the flexible hose through the appropriate soap dish aperture (**fig.33**) so the dish acts as a retaining ring.

Screw the flexible hose to the shower outlet – if not already done – and sprayhead (**fig.34**) ensuring the supplied washers are in place at both ends of the hose.

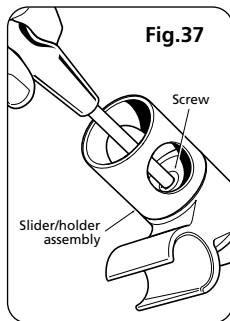
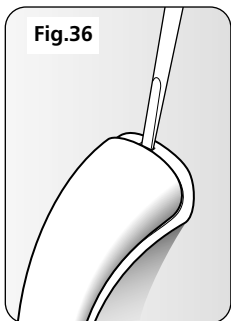
Place the sprayhead into the holder (**fig.35**) and check that it fits correctly. NOTE: The holder is slightly tapered and the sprayhead and hose will only fit from one direction. **Important:** It is the conical end of the hose which grips into the holder. The sprayhead will not fit in the holder without the hose attached.



TIGHTENING THE SPRAYHEAD HOLDER

In the unlikely event of the sprayhead dropping down in use because the holder is loose, this can be remedied by re-tightening the screw inside the holder unit. To gain access to this screw, one of the wall mounting brackets must be removed – the top one is preferable as the rail can be left in position on the lower bracket.

First remove the sprayhead and hose from the holder. Insert a small screw driver into the slot on the trim cover (**fig.36**), and carefully prise off the cover.



Unscrew the fixing screws holding the bracket and remove it from the wall and rail.

Holding the rail, unlock the lever and slide off the lever and holder assembly. Remove the lever and saddle from the slider/holder assembly. The screw inside the slider/holder is now accessible.

With an appropriate screw driver, tighten the screw (**fig.37**). Re-assemble in the reverse order.

OPERATING THE SHOWER

Important: Ensure the commissioning procedure has been carried out.

To start the shower

Pressing the start/stop button (**fig.38**) switches on the pump allowing water to immediately flow through the unit.

To stop the shower

Press the start/stop button. This switches off the pump and the water flow will cease.

WARNING: If re-starting immediately after stopping, be aware that a slug of hot water will be expelled for the first few seconds.

To use the power selector

The power selector (**fig.38**) has four settings – cold, low, medium and full power.

Blue symbol is cold water only. Adjustment at the temperature control at this setting will only increase or decrease the force of the water from the sprayhead. *It will not alter the water temperature.*

Red outline symbol is the low setting for extra economy during hot months. Temperature adjustment at this setting is via the temperature control.

Single red symbol is the medium setting for economy during warmer months and any temperature adjustment at this setting is via the temperature control.

Double red symbol is maximum power setting which allows the highest flow achievable for your preferred temperature. Temperature adjustment at this setting is via the temperature control.

To adjust the shower temperature

The shower temperature is altered by increasing or decreasing the flow rate of the water through the shower via the temperature control.

After obtaining your preferred shower temperature, the number can be remembered as the normal setting and should only need to be altered to compensate for seasonal changes in ambient water temperatures.

To decrease the shower temperature

Turn the temperature control anti-clockwise towards the lower numbers; this will increase the water flow.

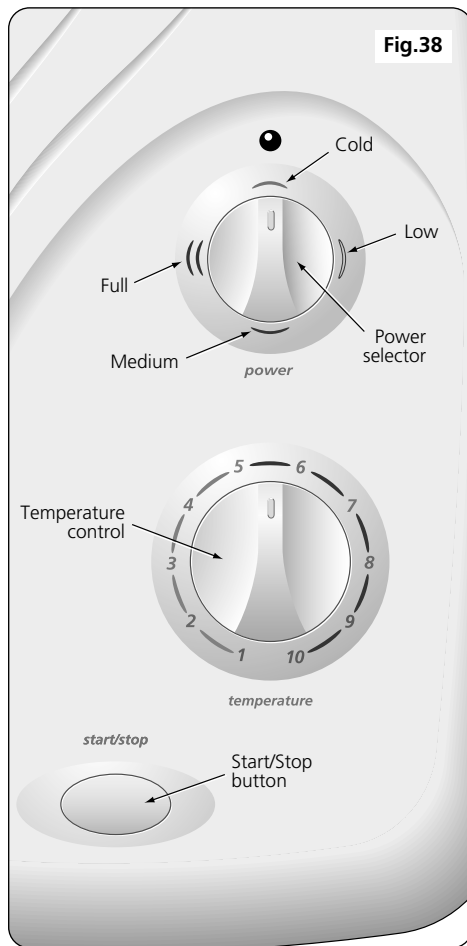


Fig.39



NOTE: IN NORMAL USE, IT IS IN ORDER TO LEAVE THE WATER SUPPLY PERMANENTLY ON TO THE SHOWER UNIT, BUT AS WITH MOST ELECTRICAL APPLIANCES, **THE UNIT MUST BE SWITCHED OFF AT THE ISOLATING SWITCH WHEN NOT IN USE.**

To increase the shower temperature

Turn the temperature control clockwise towards the higher numbers; this will decrease the water flow.

CAUTION: Be certain the showering temperature is satisfactory by testing with your hand before stepping under the sprayhead. There will always be a time delay of ten to fifteen seconds between selecting a flow rate and the water reaching the stable temperature for that flow rate.

It is recommended that persons who may have difficulty understanding or operating the shower controls should not be left unattended whilst showering. Special consideration should be given to young children and the less able bodied.

OPERATING FUNCTIONS

Power on indicator (fig.39)

The power neon will light when the start/stop button is pressed. This indicates that power is on to the pump and power selector.

Low water pressure cut-out

Should the water pressure fall below the minimum required to operate the shower, power will be switched off to the heating elements preventing any maintained temperature rises.

Overheat cut-out

During normal operation if an overheat temperature is sensed, power to the elements will be reduced. Water will continue to flow. When the temperature has cooled sufficiently, power to the elements will be automatically restored to the previous setting at the time of interruption.

Safety cut-out

The unit is fitted with a non re-settable over-temperature safety device. In the event of abnormal operation which could cause unsafe temperatures within the unit, the device will disconnect the heating elements. It will require a visit from a qualified engineer to determine the nature of the fault and replace the safety device, once the unit has been repaired.

ADJUSTING THE SPRAYHEAD

Four sprayhead patterns are available (**fig.40**). Adjustment is by turning the bezel on the sprayhead in either direction until the desired pattern is obtained.

Maxi

A full spray perfect for a relaxing shower.

Ultra

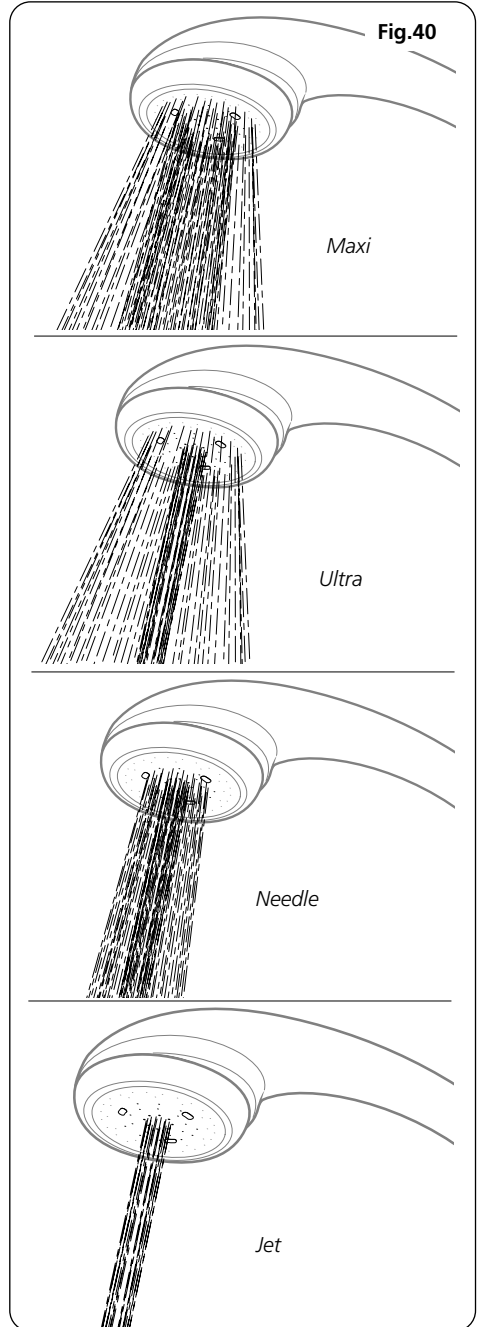
A focused spray for a refreshing, satisfying shower.

Needle

A tingling, fine spray for a highly invigorating shower.

Jet

A concentrated spray for an exhilarating shower.



CLEANING

Do not use abrasive or solvent cleaning fluids. The shower unit, riser rail, hose, etc. should be cleaned using a soft cloth and warm water.

It is advised before cleaning, to turn the isolation switch off, thus avoiding the shower being accidentally switched on.

IT IS IMPORTANT TO KEEP THE SPRAYHEAD CLEAN TO MAINTAIN THE PERFORMANCE OF THE SHOWER. The hardness of the water will determine the frequency of cleaning. For example, if the shower is used every day in a very hard water area, it may be necessary to clean the sprayhead on a weekly basis.

Sprayplate removal

There is no need to remove the sprayhead from the hose.

Using the removal tool supplied (**fig.41**), locate the three raised 'bosses' into the three recesses in the sprayplate. Hold in firmly and twist anti-clockwise (**fig.42**). This movement may turn the cartridge assembly as well until it reaches a 'stop'.

Hold the cartridge firmly and continue to twist anti-clockwise. Having loosened the sprayplate sufficiently, it can be unscrewed and removed completely (**fig.43**).

Clean the sprayplate with a suitable brush or preferably leave it to soak overnight in a mild proprietary descaler. Ensure all traces of scale are removed and thoroughly rinse in clean water afterwards.

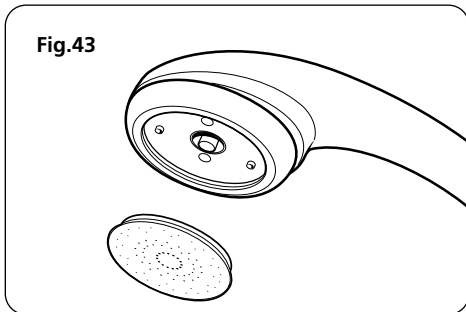
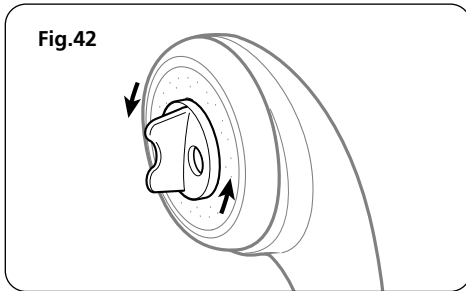
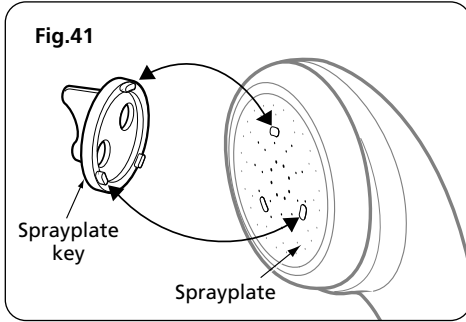
Before replacing the sprayhead, switch the power back on at the isolating switch and direct the hose and sprayhead to waste.

Switch the power selector to the COLD position and turn the temperature control fully anti-clockwise.

Press the start/stop button.

This operation will flush out any loose scale deposits in the unit and sprayhead. Stop after approximately thirty seconds.

Refit the sprayplate by screwing clockwise. Use the tool to screw the sprayplate tight.

**WARNING**

Do not use 'powerful' abrasive or solvent cleaning fluids when cleaning the shower as they may damage the plastic fittings

FILTER MAINTENANCE

Instructions for installers and service engineers

It is recommended that the filter is periodically cleaned in order to maintain the performance of the shower. *It is essential that this operation is carried out by a competent person.*

SWITCH OFF THE ELECTRICITY SUPPLY.

Remove the cover and disconnect the plug.

There is no need to turn off the water supply – the act of removing the filter unit automatically isolates the water supply.

NOTE: Should debris be trapped on the shut off seat inside the valve, water will continue to flow out as the filter is removed. It is therefore advisable to locate the main isolating valve prior to removing the filter in the event that the unit needs isolating.

Do not rely on the filter shut off valve when carrying out repairs or service to other areas of the shower unit.

Unscrew the filter (**fig.44**) by turning anti-clockwise. Remove the unit complete with the filter and wash under running water. Ensure all debris etc. is removed.

Replace by pushing the unit back into its housing until the threads engage and then turn fully clockwise until tight. DO NOT OVERTIGHTEN.

Before replacing the cover, it is strongly advised to prime the unit by opening the bleed screw until water drains from it.

Close the bleed screw and connect the plug to the cover. Replace the cover and secure with the fixing screws.

Switch on the electric supply and start the shower on the COLD SETTING ONLY and with the temperature control rotated fully anti-clockwise.

When a smooth flow of water is obtained, the shower can then be used in the normal manner.

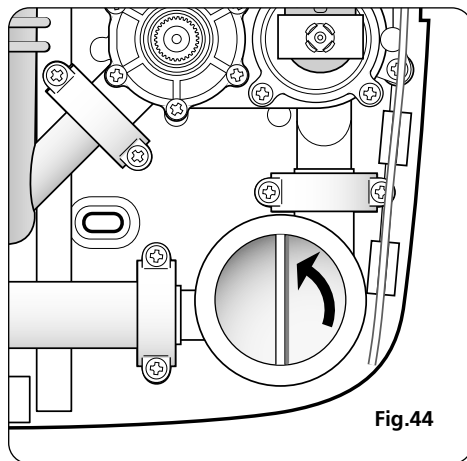


Fig.44

FAULT FINDING

IMPORTANT: Switch OFF the electricity at the mains supply and remove the circuit fuse before removing the cover from the shower while attempting any fault finding inside the unit.

Problem/Symptom	Cause	Action/cure
1 Shower inoperable, no water flow when the start/stop button is pressed.	1.1 Interrupted power supply.	1.1.1 Check if a general power cut. Check other appliances and if necessary, contact the local Electricity Supply Company. 1.1.2 If the power neon does not illuminate when the start/stop button is pressed, check the consumer unit fuse or circuit breaker or isolating switch. If blown or faulty, renew or reset as applicable. If it fails again, consult a competent electrician.
	1.2 Plug not connected to socket inside the cover.	1.2.1 Remove the cover and ensure the plug and socket are firmly connected.
	1.3 Solenoid valve malfunction.	1.3.1 Have solenoid checked by a competent electrician or contact Customer Service.
	1.4 Pump motor faulty.	1.4.1 If the power neon is lit when the start/stop button is pressed, have the pump checked by a competent person or contact Customer Service.
2 Water too hot.	2.1 Not enough water flowing through the shower.	2.1.1 Increase the flow rate via temp. control. 2.1.2 Blocked sprayhead - clean or replace sprayhead. 2.1.3 Blocked filter – see ‘filter maintenance’.
	2.2 Increase in ambient water temperature.	2.2.1 Switch to reduced power setting and re-adjust flow rate (via temperature control) to give the required temperature.
	3.1 Heater cycling on outlet thermal cut-out.	3.1.1 See ‘Water too hot’ causes 2.1 and 2.2 and their appropriate action/cures. If it continues, contact Triton Customer Service.
4 Water too cool or cold.	4.1 Too much flow.	4.1.1 Reduce the flow rate via the temperature control.
	4.2 Reduction in the ambient water temperature.	4.2.1 Switch to full power setting and re-adjust the flow rate via the temperature control to give the required temperature.
	4.3 Electrical malfunction or safety cut-out has operated.	4.3.1 Have shower unit checked by a competent electrician or contact Customer Service.

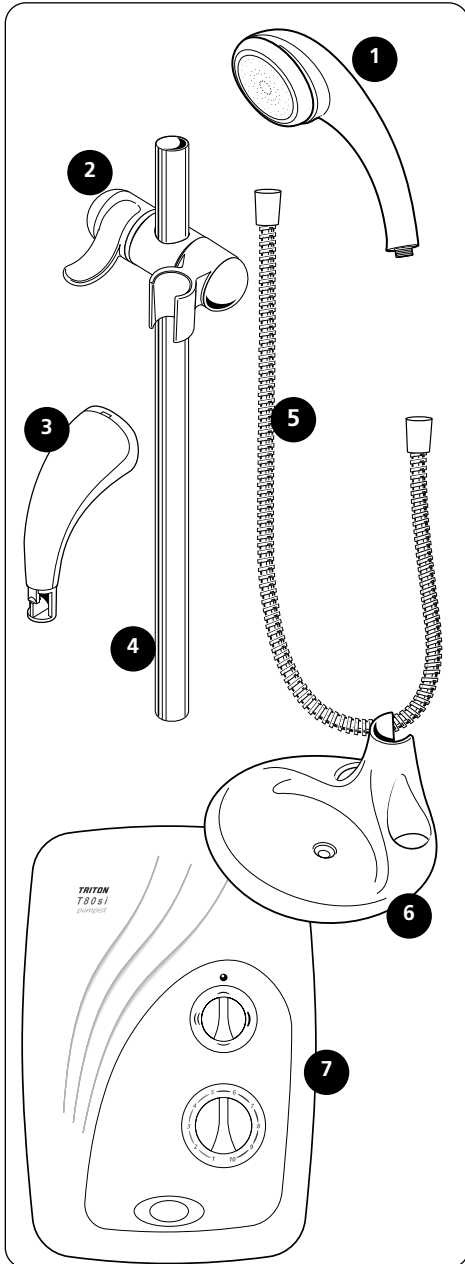
FAULT FINDING (continued)

<i>Problem/Symptom</i>	<i>Cause</i>	<i>Action/cure</i>
5 During use, the water flow ceases abruptly.	5.1 Interrupted power supply.	5.1.1 See 1.1.1 and 1.1.2.
	5.2 Solenoid valve malfunction (pump still operates).	5.2.1 Switch off immediately. Have solenoid checked by a competent electrician or contact Customer Service.
	5.3 Pump motor faulty.	5.3.1 See 1.5.1.
6 Shower performance drops indicated by a gradual reduction in water flow.	6.1 Water starvation to the unit.	6.1.1 Check the filter is not blocked. First, isolate the electricity supply and then remove the cover.
		6.1.2 Check the cold water cistern is full.
		6.1.3 Ensure the water supply pipe is not blocked or air locked.
		6.1.4 Check there is no simultaneous demand from the cistern during showering.
		6.1.5 Re-prime the unit without electricity switched on to the unit (see 'commissioning' section).
7 Pressure relief device has operated (water ejected from PRD tube).	7.1 Blocked sprayhead.	7.1.1 Clean or replace blocked cartridge in the sprayhead and then fit a new PRD.
	7.2 Twisted/blocked flexible shower hose.	7.2.1 Check for free passage through the hose. Replace the hose if necessary and then fit a new PRD.
	7.3 Sprayhead not removed whilst commissioning.	7.3.1 Fit a new PRD. Commission the unit with sprayhead removed.

Note: Identify cause of operation before fitting new PRD unit.
When fitting a new PRD, follow the commissioning procedure.

It is advised all electrical maintenance/repairs to the shower should be carried out by a competent person.

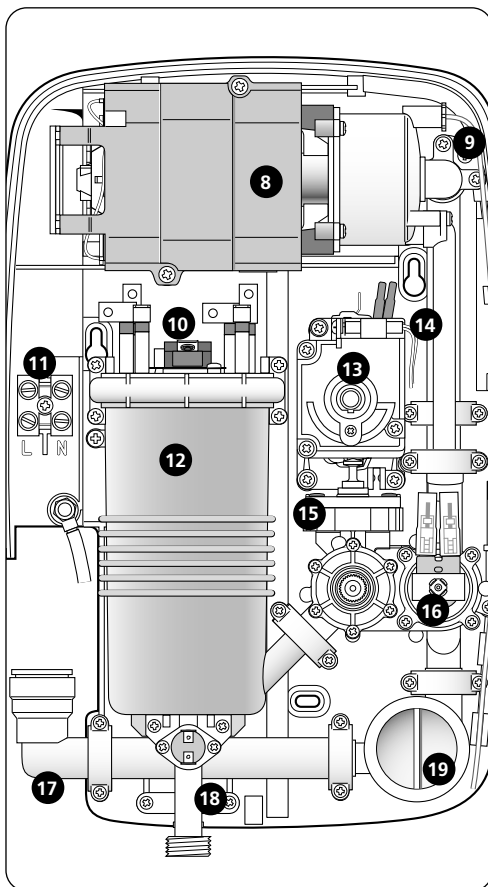
SPARE PARTS



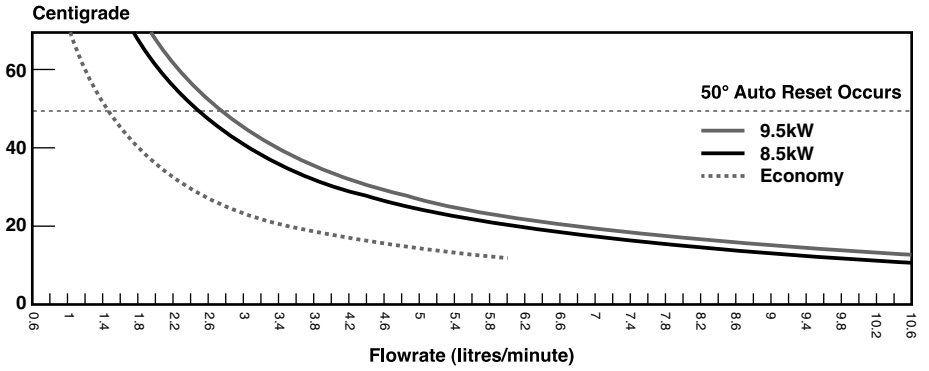
Ref.	Description	Part No.
1	4 mode sprayhead – all white	22420050
2	Sprayhead holder	83306190
3	Brackets (pr.)	83306160
4	Riser rail (chrome effect)	7042409
5	Flexible hose (chrome effect)	22007500
6	Soap dish (white)	22008960
7	Cover assembly c/w knobs & button	84900030

SPARE PARTS

Ref.	Description	Part No.
8	Pump and motor assembly	84000100
9	Connecting pipe – lower	7052554
	Connecting pipe – upper	7052555
10	Thermal cut-out	22009860
11	Terminal block	22009230
12	Can assembly	
	8.5kW (230V)	84500640
	9.5kW (240V)	84500630
13	Selector switch, microswitch & wire assy.	
	8.5 kW wireset	82500260
	9.5 kW wireset	82500270
14	Connecting pipe	7052556
15	Flow valve assembly	82100300
16	Solenoid	22009120
17	Inlet pipe assembly	82800600
18	Outlet pipe assembly	85000200
–	Outlet pipe & terminal block wiring assy.	
	8.5 kW wiring	82200840
	9.5 kW wiring	82200830
19	Filter	82800620
–	Pressure relief device	82800450
–	Start/stop switch	83305380



Temperature / flow rate graph (0° C ambient)





*A **NORCROS** Company*

TRITON STANDARD GUARANTEE

Triton Plc guarantee this product against all mechanical and electrical defects arising from faulty workmanship or materials for a period of one year for domestic use only, from the date of purchase, provided that it has been installed by a competent person in full accordance with the fitting instructions.

Any part found to be defective during this guarantee period we undertake to repair or replace at our option without charge so long as it has been properly maintained and operated in accordance with the operating instructions, and has not been subject to misuse or damage.

This product must not be taken apart, modified or repaired except by a person authorised by Triton Plc. This guarantee applies only to products installed within the United Kingdom and does not apply to products used commercially. This guarantee does not affect your statutory rights.

What is not covered:

1 Breakdown due to: **a)** use other than domestic use by you or your resident family; **b)** wilful act or

neglect; **c)** any malfunction resulting from the incorrect use or quality of electricity, gas or water or incorrect setting of controls; **d)** faulty installation.

2 Repair costs for damage caused by foreign objects or substances.

3 Total loss of the product due to non-availability of parts.

4 Compensation for loss of use of the product or consequential loss of any kind.

5 Call out charges where no fault has been found with the appliance.

6 The cost of repair or replacement of pressure relief devices, sprayheads, hoses, riser rails and/or wall brackets, isolating switches, electrical cable, fuses and/or circuit breakers or any other accessories installed at the same time.

7 The cost of routine maintenance, adjustments, overhaul modifications or loss or damage arising therefrom, including the cost of repairing damage, breakdown, malfunction caused by corrosion, furring, pipe scaling, lime scale, system debris or frost.

Service Policy

In the event of a complaint occurring, the following procedure should be followed:

1 Telephone Customer Service on (024) 7637 2222 (08457 626591 in Scotland and in Northern Ireland), having available the model number and power rating of the product, together with the date of purchase.

2 Triton Customer Service will be able to confirm whether the fault can be rectified by either the provision of a replacement part or a site visit from a qualified Triton service engineer.

3 If a service call is required it will be booked and the date of call confirmed. In order to expedite your request, please have your postcode available when booking a service call.

4 It is essential that you or an appointed representative (who must be a person of 18 years of age or more) is present during the service engineer's visit and receipt of purchase is shown.

5 A charge will be made in the event of an aborted service call by you but not by us, or where a call under the terms of guarantee has been booked and the failure is not product related (i.e. scaling and furring, incorrect water pressure, pressure relief device operation, electrical installation faults).

6 If the product is no longer covered by the guarantee, a charge will be made for the site visit and for any parts supplied.

7 Service charges are based on the account being settled when work is complete, the engineer will then request payment for the invoice. If this is not made to the service engineer or settled within 10 working days, an administration charge will be added.

Replacement Parts Policy

Availability: It is the policy of Triton to maintain availability of parts for the current range of products for supply after the guarantee has expired. Stocks of spare parts will be maintained for the duration of the product's manufacture and for a period of five years thereafter.

In the event of a spare part not being available a substitute part will be supplied.

Payment: The following payment methods can be used to obtain spare parts:

1 By post, pre-payment of pro forma invoice by cheque or money order.

2 By telephone, quoting credit card (MasterCard or Visa) details.

3 By website order, www.tritonshowers.co.uk

Triton Plc, Shepperton Park, Caldwell Road,
Nuneaton, Warwickshire. CV11 4NR

Customer Service

☎ (024) 7637 2222

Scottish and Northern Ireland

Customer Service

☎ 08457 626591

Trade Installer Hotline

☎ (024) 7632 5491

Fax: (024) 7632 4564

www.tritonshowers.co.uk

E mail: technical@triton.plc.uk