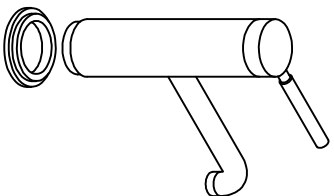
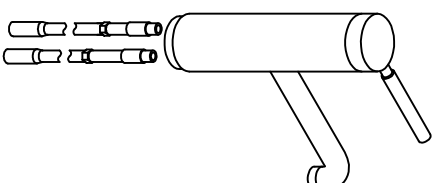


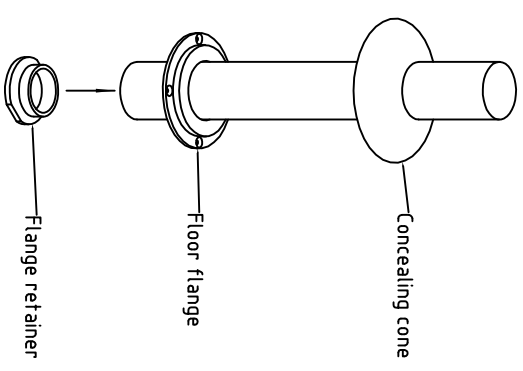
1. Prepare hole in floor - Minimum diameter 50mm, maximum diameter 90mm



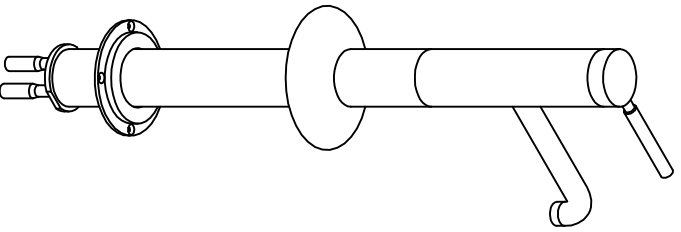
2. Unscrew flange from base of mono and discard



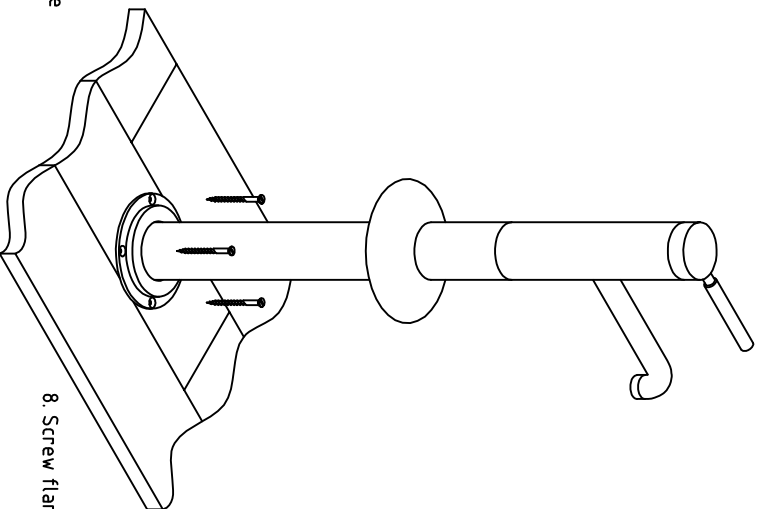
3. Screw feed pipes into base of mono. DO NOT over-tighten.



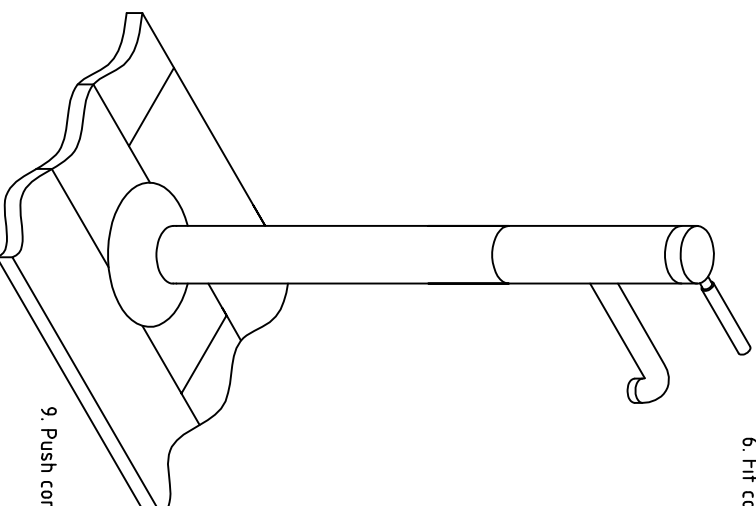
4. Screw flange retainer into base of tube (either end).  
 5. Carefully pass floor flange over tube.  
 6. Fit concealing cone onto tube.



7. Screw mono and feed pipe assembly into top of tube



8. Screw flange to floor



9. Push concealing cone down to floor.