

INSTALLATION MANUAL



NO.	Assembly Name	Quantity	NO.	Assembly Name	Quantity
①	Cabinet foot	2	⑩	Ceramic basin	1
②	Wooden cabinet	1	⑪	Pop-up waste	1
③	Plastic self fasten bolt	2	⑫	Hardware base	1
④	Self-tapping screw	2	⑬	Drainage	1
⑤	Decorative cap	2	⑭	Mirror cabinet	1
⑥	Glass plate	1	⑮	Plastic self fasten bolt	2
⑦	Faucet	1	⑯	Self-tapping screw	2
⑧	Screw	2	⑰	Decorative cap	2
⑨	Decorative cap	2	⑱	Lamp	1

Installation tools:

Tapeline, Hammer drill, "-"shape screwdrive; "+" shape screwdrive; Hammer; spirit level; Mark pen; Spanner; Ø6-Ø12mm drill;

Installation guide:

1. Wooden cabinet:

a. Install the cabinet foot on the wooden cabinet first, then determine the installation position of wooden cabinet and adjust the horizontal and vertical level of the holes by spirit level and make a mark on the wall. Then drill holes and install the cabinet on the wall.

b. Install the ceramic basin and pop-up waste; when assembling the pop-up waste, don't tighten the pop-up waste with tools and as long as it is twisted to water-tight by hand.

c. Install the faucet and drainage.

2. Mirror cabinet

Determine the installation position of mirror cabinet, and Adjust the horizontal and vertical level of the holes by spirit level and make a mark on the wall. Then drill holes and install the mirror cabinet on the wall.

Remark:

1. Avoid using anything that is rough or with sharp point that could scratch or strike the glass.

2. Clean and wipe the surface of the product with a soft damp cloth.

3. There is no need to clean the products with acid or alkaline-based materials.

4. Draft 1, 2, 3, 4, 5 is only for installation reference

Chart one:

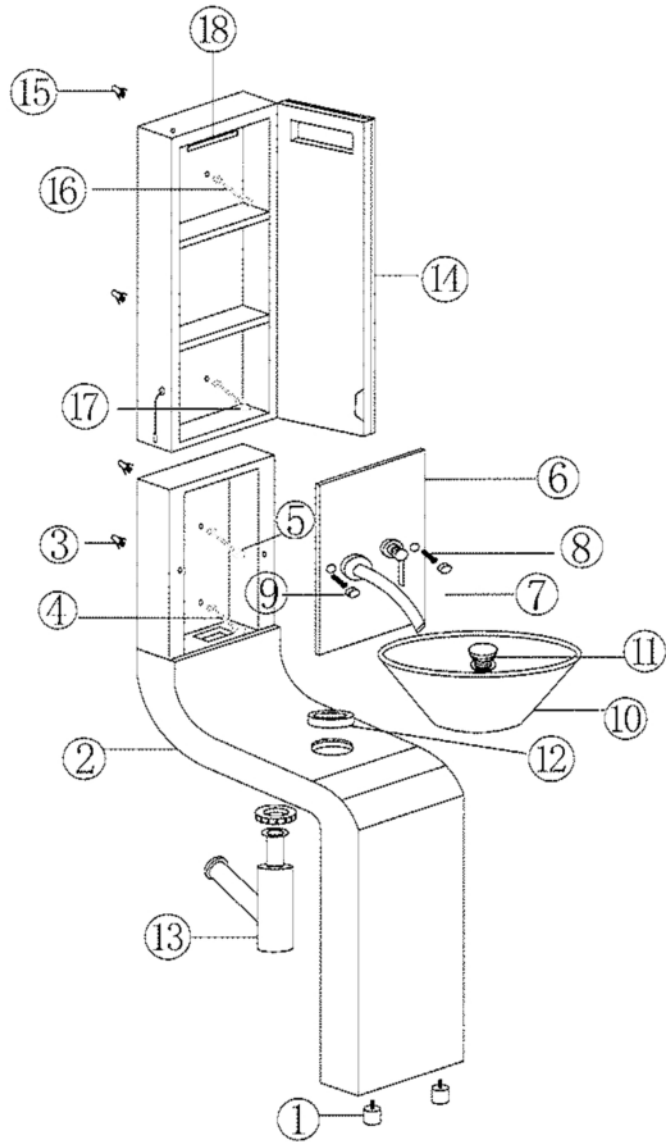
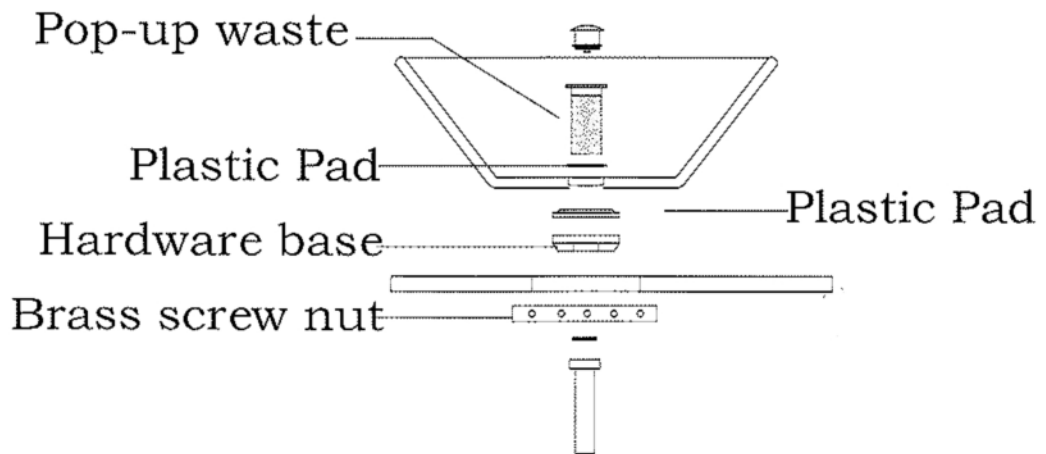
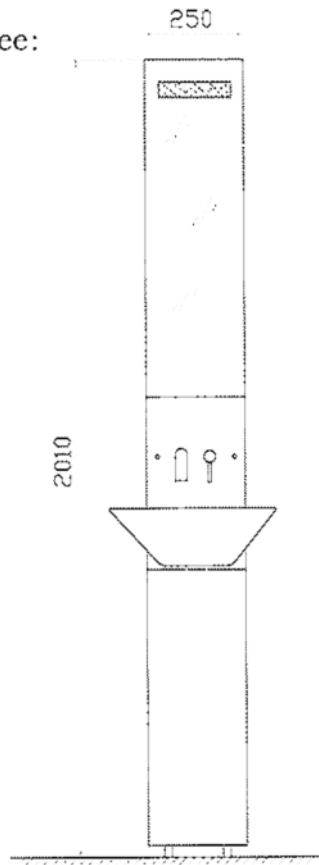


Chart two



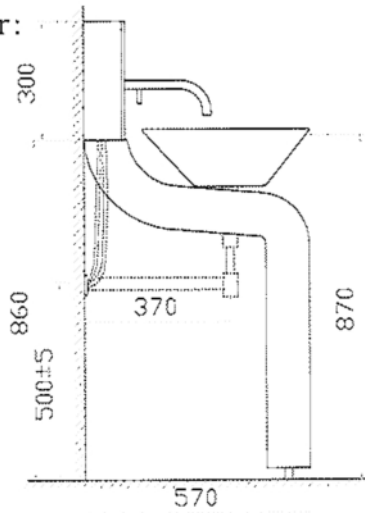
Model: NWWC-10707W Size: 430*2010

Chart three:



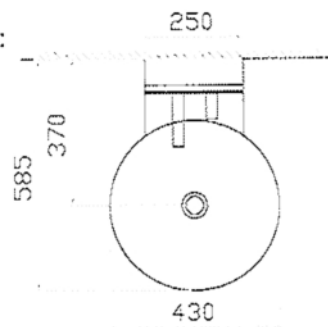
FRONT ELEVATION

Chart four:



SIDE ELEVATION

Chart five:



PLANFORM ELEVATION